

Technical Data Sheet

CODE 30304

C15/2T ATEX II 2G/D H
T3/125°C X GB/DB



Centrifugal fans for installation in potentially explosive areas



Certifications

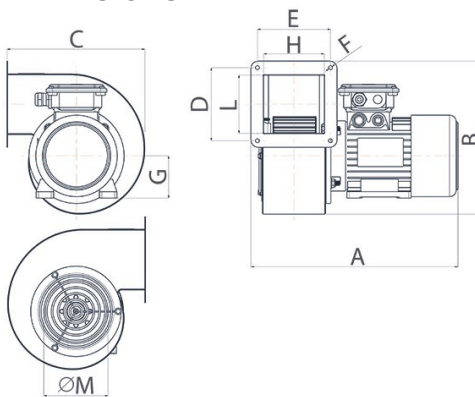
CE ATEX-CE

EAC EAC

TECHNICAL AND PERFORMANCE DATA

Absorbed Current max (A)	0,39	Number of speeds	1
Absorbed Power max (W)	175	Voltage (V)	400
Frequency (Hz)	50	Weight (Kg)	4,5
Insulation Class	I°	Delivery max (l/s)	119,4
IP	65	Delivery max (m³/h)	430
Max ambient temperature for continuous operation (°C)	+ 40	Pressure max (mmH2O)	44
Min ambient temperature for continuous operation (°C)	- 20	Pressure max (Pa)	430
Number of Phases (Ph)	3	RPM	2800
Number of Poles	2	Sound Pressure level Lp [dB (A)] 3m	59

DIMENSIONS



Dimensione Q (mm)	108
Dimensione R (mm)	71
Size A (mm)	280
Size B (mm)	234
Size C (mm)	206
Size D (mm)	108
Size E (mm)	100
Size F (mm)	7
Size G (mm)	56
Size H (mm)	83
Size L (mm)	88
Size M (mm)	108
Size N (mm)	132
Size O (mm)	125
Size P (mm)	90
Size S (mm)	90

PER INFORMAZIONI:

Servizio al Cliente: tel +39 02 90699395 premendo 1 dopo messaggio registrato (consulenza su prodotti e impianti)

Pre & Post Vendita: fax +39 02 90699302

Email prevendita: prevendita@vortice-italy.com

Technical Data Sheet

CODE 30304

C15/2T ATEX II 2G/D H
T3/125°C X GB/DB



Centrifugal fans for installation in
potentially explosive areas

DESCRIPTION

- Scroll made of pressed steel, pickled and phosphated, and treated initially with epoxy base coat; thereafter, grey textured finish obtained by applying a coat of polyurethane powder paint strengthened by oven baking. Scroll housings drilled with holes to allow repositioning of the outlet port (LG90).
- Inlet port made of copper.
- Mesh grille on inlet port made of steel wire, zinc-coated, pickled and phosphated, epoxy powder coated and baked in oven, colour black.
- Frame and scroll: painted pressed steel, with multiple fixing holes configured to allow alignment of the motor in 8 different positions relative to the outlet port (see drawing attached).
- 1 speed three-phase AC motor with shaft turning in double shielded ball bearings, size to UNEL MEC standard, flange B35, manufactured employing methods and materials suitable for use in environments with potentially explosive atmospheres, according to Explosion Protection standards EN ISO 80079-36:2016; EN 14986:2017.
- Centrifugal impeller made of aluminium, with forward blades and diecast aluminium hub.
- Maximum air flow 430 m³/h
- Aluminium cooling fan
- Pressed steel motor cover.
- Metal cable gland for electrical connection.
- Wiring box enclosure rating IP65.
- IMQ-certified for use in areas at risk of explosion due to presence of gas and dust:
- IMQ 10 ATEX 029 X; GR II cat. 2G/D h T3/125 X

PER INFORMAZIONI:

Servizio al Cliente: tel +39 02 90699395 premendo 1 dopo messaggio registrato (consulenza su prodotti e impianti)

Pre & Post Vendita: fax +39 02 90699302

Email prevendita: prevendita@vortice-italy.com